

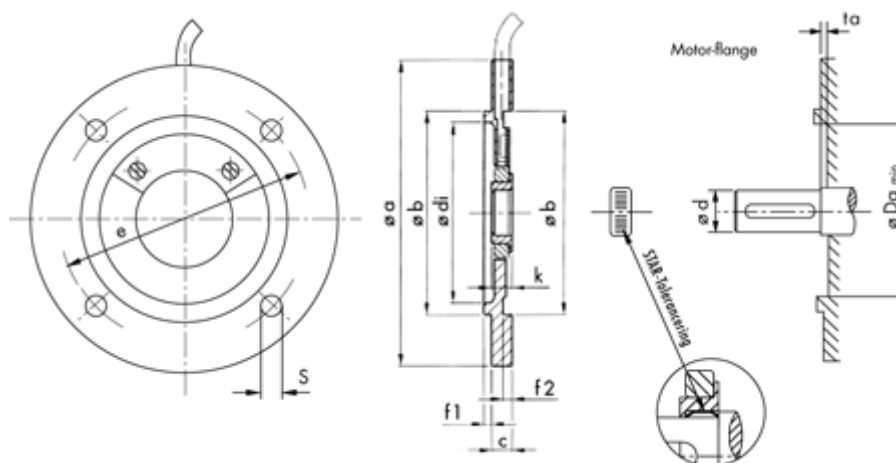
# Data Sheet



Article number: 7806121900640000

Description: BEGE flangeencoder for 80B14  
MN120-19-64-S (5m w/connector) 5-24V

## Measures



$a = 120$	$f2 = 3.5$
$b = 80$	$k = 7$
$c = 7$	$s = 7$
$d = 19$	$ta = 2$
$Da = 60$	
$di = 74$	
$e = 100$	
$f1 = 3.0$	